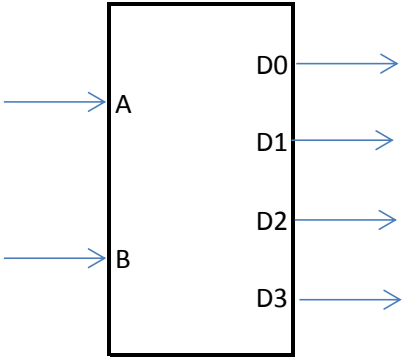
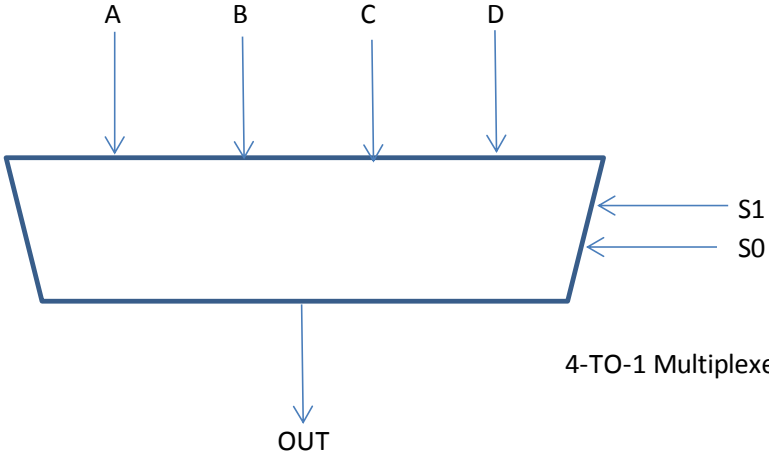


# Decoder & Multiplexer



A	B	D0	D1	D2	D3
0	0	1	0	0	0
0	1	0	1	0	0
1	0	0	0	1	0
1	1	0	0	0	1

2 x 4 Decoder



S1	S0	OUT
0	0	A
0	1	B
1	0	C
1	1	D

4-TO-1 Multiplexer