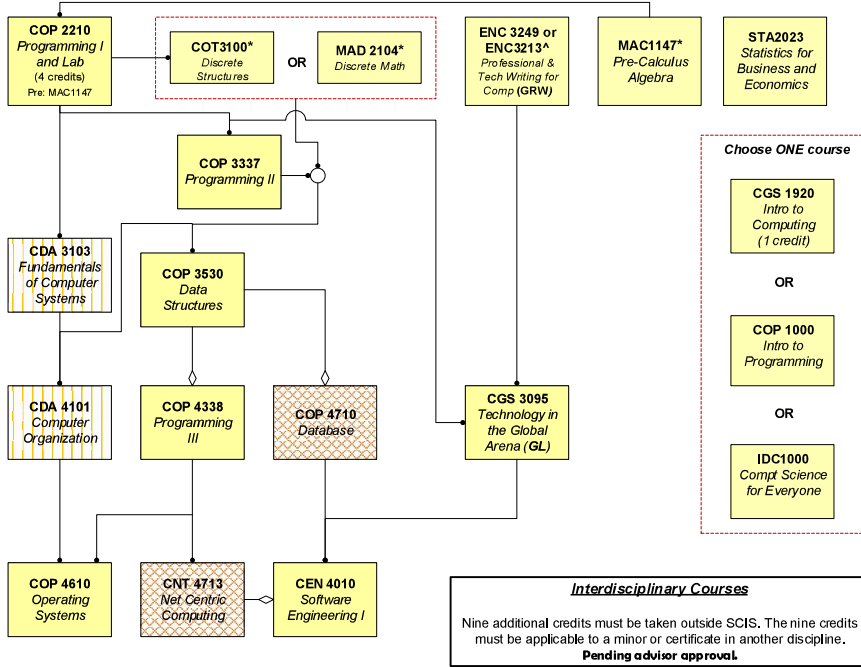


Bachelor of Arts in Computer Science
(effective Fall 2017)



- CS Electives:** Choose 3 electives
- CAP 4104-Human Cmpt Int (Prereq: COP3337)
 - CAP 4630-Artificial Intelligence (Prereq: COP3530)
 - CAP 4641-Natural Language Processing (Prereq: COP3530)
 - CAP 4770-Data Mining (Prereq: COP3530 & Co-Req: COP4710)
 - CEN 4021-Software Engineering II (Prereq: CEN4010)
 - CEN 4072-Software Testing (Prereq: COP3530)
 - CEN 4083-Cloud Computing (Prereq: CNT4713 & CDA4101)
 - COP 4005-Windows Programming (Prereq: COP3337, Co-Req: COP4710)
 - COP 4226-Advanced Windows Programming (Prereq: COP3530)
 - COP 4520-Intro to Parallel Computing (Prereq: COP3530 & CDA4101)
 - COP 4534-Algorithm Techniques (Prereq: COP3530)
 - COP 4555-Programming Languages (Prereq: COP3530)
 - COP 4604-Advanced UNIX Programming (Prereq: COP4610)
 - COP 4722-Survey of Database Systems (Prereq: COP4710)
 - COP 3541-Logic for Computer Science (Prereq: COP3337 & COT3100/MAD2104)
 - COT 4521-Intro to Computational Geometry (Prereq: COP3530)
 - CTS 4408-Database Administration (Prereq: COP4710)
 - MAD 3305-Graph Theory (Prereq: COP2210 & COT3100/MAD2104)
 - MAD 3512-Algorithms (Prereq: COT3541)

A line indicates a prerequisite. The course above must be completed before the course below can be taken.

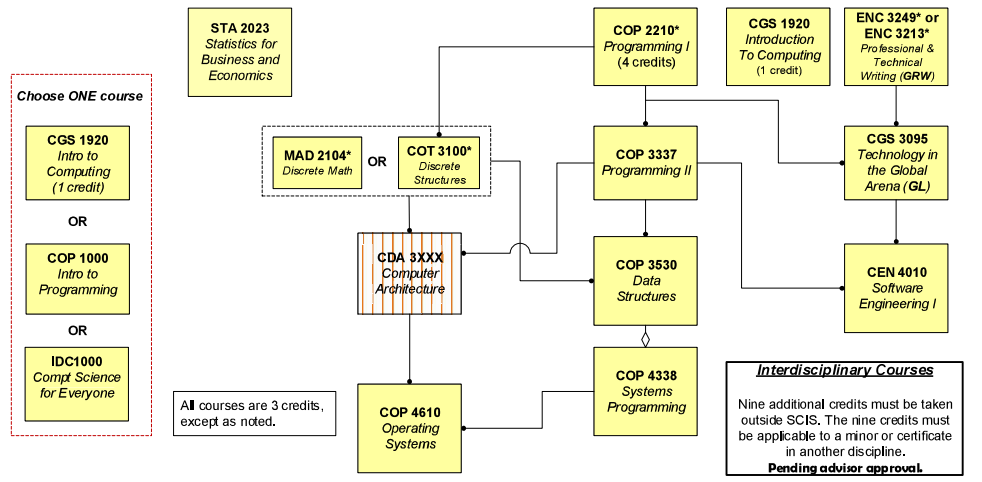
A diamond indicates a co-requisite. The course closer to the diamond may be taken at the same time as the co-requisite. The co-requisite is a prerequisite for any course that requires the course closer to the diamond.

A junction is where multiple prerequisites are joined.

Prerequisites:
 ^ ENC3249/ENC3213 prerequisites: UCC English requirements
 * COT3100, MAD2104 & MAC1147 require MAC1105

All courses are 3 credits, except as noted.

Bachelor of Arts in Computer Science
(effective 01/2020)



- CS Electives (6 courses):** Must take at least one course from each elective group (most electives are 3 credits). Remaining three elective courses must be taken from these elective groups.
- | Foundations | Systems | Applications |
|---|---|---|
| <input type="checkbox"/> CAP 4506-Intro to Game Theory (Prereq: MAC2312) | <input type="checkbox"/> CAP 4453-Robot Vision (Prereq: COP3530, MAC2312) | <input type="checkbox"/> CAP 4104-Human Cmpt Int (Prereq: COP3337) |
| <input type="checkbox"/> COP 4534-Algorithm Techniques (Prereq: COP3530) | <input type="checkbox"/> CDA 4625-Intro to Mobile Robotics (Prereq: COP3530, STA3033) | <input type="checkbox"/> CAP 4630-Artificial Intelligence (Prereq: COP3530) |
| <input type="checkbox"/> COP 4555-Programming Languages (Prereq: COP3530) | <input type="checkbox"/> CEN 4083-Cloud Computing (Prereq: CNT4713, XXXX) | <input type="checkbox"/> CAP 4841-Nat Lang Processing (Prereq: COP3530) |
| <input type="checkbox"/> COT 3541-Logic for CS (Prereq: COP3337 & COT3100) | <input type="checkbox"/> CNT 4713-Net Centric Computing (Prereq: COP4338) | <input type="checkbox"/> CAP 4710-Computer Graphics (Prereq: COP3337, MAC2312) |
| <input type="checkbox"/> COT 4521-Intro to Computational Geometry (Prereq: COP3530) | <input type="checkbox"/> COP 4520-Intro to Parallel Computing (Prereq: COP4338, XXXX) | <input type="checkbox"/> CAP 4770-Intro to Data Mining (Prereq: COP3337, Co-req: COP4710) |
| <input type="checkbox"/> MAD 3305-Graph Theory (Prereq: COP2210, MAD2104) | <input type="checkbox"/> COP 4604-Advanced UNIX Programming (Prereq: COP4610) | <input type="checkbox"/> CEN 4021-Software Engineering II (Prereq: CEN4010) |
| <input type="checkbox"/> MAD 3401-Numerical Analysis (Prereq: COP2210, MAC2312) | <input type="checkbox"/> COP 4710-Intro to Database Systems (Prereq: COP3530) | <input type="checkbox"/> CEN 4072-Software Testing (Prereq: COP3530) |
| <input type="checkbox"/> MAD 3512-Theory of Algorithms (Prereq: COP3530) | <input type="checkbox"/> COP 4722-Survey of Database Systems (Prereq: COP4710) | <input type="checkbox"/> COP 4226-Adv Windows Program (Prereq: COP3530) |
| <input type="checkbox"/> MAD 4203-Combinatorics (Prereq: MAD2104, MAC2312) | | |
| <input type="checkbox"/> MHF 4302-Math Logic (Prereq: MAD3512) | | |

A line indicates a prerequisite. The course above must be completed before the course below can be taken.

A diamond indicates a co-requisite. The course closer to the diamond may be taken at the same time as the co-requisite. The co-requisite is a prerequisite for any course that requires the course closer to the diamond.

A junction is where multiple prerequisites are joined.

*** Prerequisites:**
 - ENC3249/ENC3213: UCC English requirements
 - MAC2311: MAC1147
 - COT3100 & MAD2104: MAC1105
 - COP2210: MAC1140 or higher level math course
 ^ Natural Science electives: lab not needed unless required by offering dept.